

Quartz 2A0 HD

*Capture your large-format
documents at optimum quality*



Digibook

Heritage digitization



Quartz 2A0 HD

Scanners with line sensor

Versatile Lighting system

Reflection management

✓ *Best solution for gold & book illumination*

Glare free system

✓ *Digitize highly reflective documents*

Light intensity and left/right adjustments

✓ *Relief enhancement on documents or objects*

Professional UV/IR free system

✓ *No damage to documents*



Glare control system



Relief enhancement

The highest level *of image quality*

Tri-linear RGB sensor

✓ *No moiré pattern*

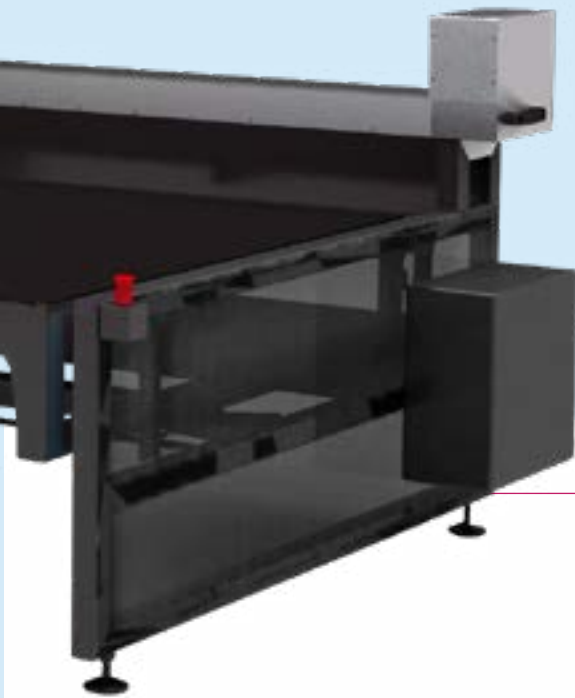
Camera remains perpendicular to the document center

✓ *No distortions*

MTF at 300 dpi : >85% resolution efficiency (>5lp/mm)

✓ *Capture the finest details*

Quartz 2A0 HD is compliant with ISO 19264-1/A, Metamorphoze Full et FADGI 4* standards.



Optimized Scanning platform

Motorized platform: up to 100 kg and 150 mm

✓ *Designed to support your biggest projects*

Sliding tray

Accessible from **3 sides**

✓ *Simplified document handling and positioning*

Positioning sensor with LED display

✓ *Easy to use for precise results*



Scan Format

Quartz 2A0 HD: up to 1800 x 1200 (mm)
(70.9" x 47.2")

High level of *productivity and ergonomics*

Scan time: **24s** at 300 dpi and **32s** at 400dpi

No mechanical camera shutter

✓ *Less spare parts, more reliable scanners*

Quartz 2A0 HD

Technical specifications

TYPE	2A0 format planetary book scanner
CAMERA	Tri-linear sensor Automatic Focus
OPTICAL RESOLUTION	400 x 400 dpi on 2A0 format 200 x 200 dpi up to 800 x 800 dpi on smallest formats
SCAN TIME	24 sec at 300 dpi 32 sec at 400 dpi
FILE FORMATS	TIFF (multipages), JPEG, JPEG2000, BMP, PDF (multipage), PNG, DNG
SOFTWARE	Limb Capture operated with Windows 10, 11.
TABLE	Scanning area: Up to 1800 x 1200 mm (70.9" x 47.24") Document thickness: Up to 150 mm / 5.91" Document weight: Up to 100 kg / 220 lb
DIMENSIONS (L X I X h)	2650 mm (104.33") x 1950 mm (77.8") x 2500 mm (98.43")
WEIGHT	Scanner: 927kg (2039 lbs)
POWER REQUIREMENTS	100V - 240V AC, 50/60 Hz / 500 VA max
WARRANTY	1 year on spare parts and software updates (extension available)
CERTIFICATIONS	CE/FCC part 15 conformity, Low voltage electrical safety EN 62368-1 radioelectrical disturbances EN55032, EN61000-3-2, EN61000-3-3 electromagnetic immunity EN 55024



The scanner is compatible with all digisolution software



SOLE Distributor in MALAYSIA & SEA :
EXCEL ENVIROTECH RESOURCES SDN BHD
UNIT A717, LEVEL 7, BLOCK A KELANA SQUARE, NO. 17 JALAN SS 7/26,
KELANA JAYA, 47301 PETALING JAYA SELANGOR
EMAIL : sales@excel-envirotech.com TEL : 03-7882 9333 / 03-7887 6868

+6018 - 388 6666

